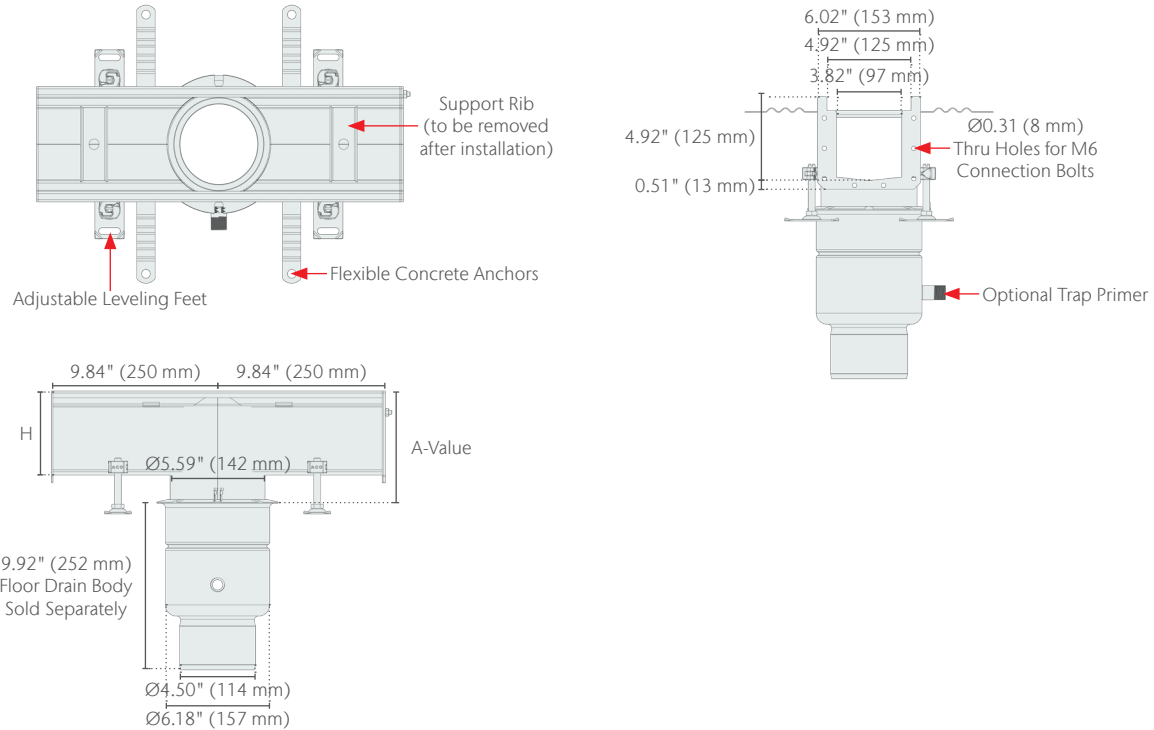


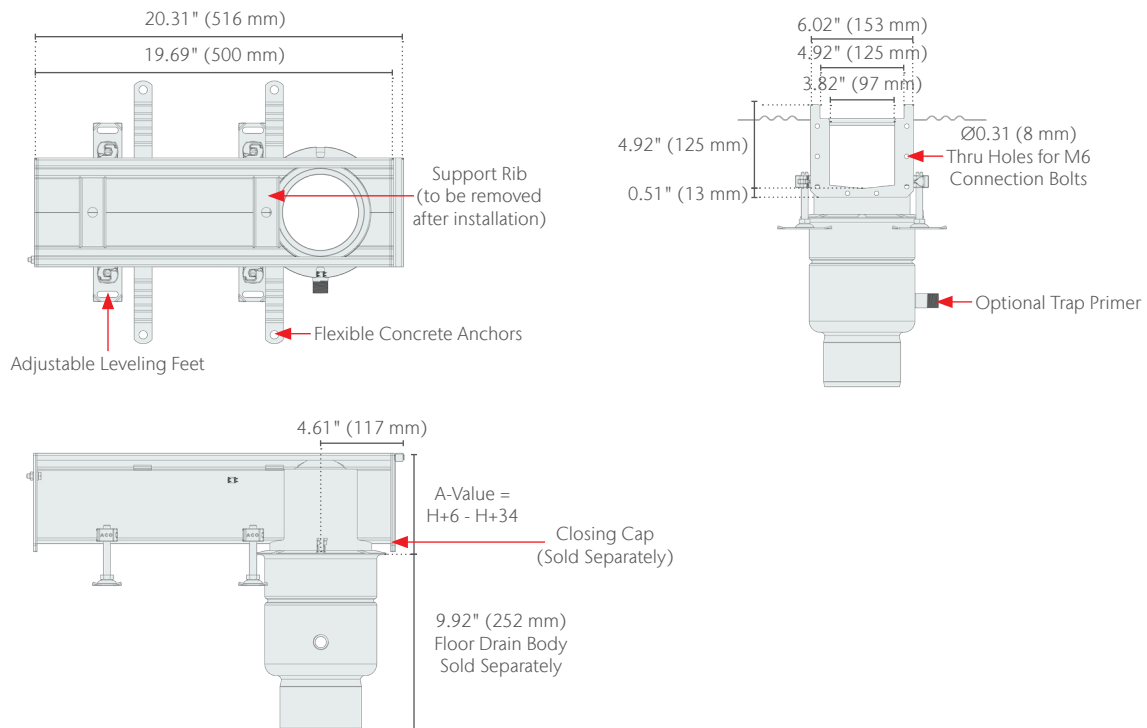
ACO Building Drainage | Stainless

D142 Outlet Channels - MOD125

Center Outlet Channels



End Outlet Channels



D142 Outlet Channels - MOD125



	Height (H) in (mm)	A-Value
A-Table	1.97 (50)	2.20 - 3.31 (56-84)
	2.56 (65)	2.80 - 3.90 (71-99)
	3.15 (80)	3.39 - 4.49 (86-114)
	3.74 (95)	3.98 - 5.08 (101-129)
	4.33 (110)	4.57 - 5.67 (116-144)
	4.72 (125)	5.16 - 6.26 (131-159)*

*Most Common

Note: Using mechanical clamping flange minimum installation value increase by 0.31" (8 mm)

Parts	Part No.	Material	Height (H) in (mm)	Length (L) in (mm)	Weight lbs
Center Outlet Channels	409734	AISI 304	1.97 (50)	19.69 (500)	8.6
	409738	AISI 304	2.56 (65)	19.69 (500)	9.2
	409742	AISI 304	3.15 (80)	19.69 (500)	10.1
	409746	AISI 304	3.74 (95)	19.69 (500)	10.8
	409726	AISI 304	4.33 (110)	19.69 (500)	11.7
	409730	AISI 304	4.92 (125)	19.69 (500)	12.1
	409735	AISI 316L	1.97 (50)	19.69 (500)	8.6
	409739	AISI 316L	2.56 (65)	19.69 (500)	9.2
	409743	AISI 316L	3.15 (80)	19.69 (500)	10.1
	409747	AISI 316L	3.74 (95)	19.69 (500)	10.8
	409727	AISI 316L	4.33 (110)	19.69 (500)	11.7
	409731	AISI 316L	4.92 (125)	19.69 (500)	12.1
	End Outlet Channels	409732	AISI 304	1.97 (50)	19.69 (500)
409736		AISI 304	2.56 (65)	19.69 (500)	9.2
409740		AISI 304	3.15 (80)	19.69 (500)	10.1
409744		AISI 304	3.74 (95)	19.69 (500)	10.8
409724		AISI 304	4.33 (110)	19.69 (500)	11.7
409728		AISI 304	4.92 (125)	19.69 (500)	12.1
409733		AISI 316L	1.97 (50)	19.69 (500)	8.6
409737		AISI 316L	2.56 (65)	19.69 (500)	9.2
409741		AISI 316L	3.15 (80)	19.69 (500)	10.1
409745		AISI 316L	3.74 (95)	19.69 (500)	10.8
409725		AISI 316L	4.33 (110)	19.69 (500)	11.7
409729		AISI 316L	4.92 (125)	19.69 (500)	12.1

Specification Summary

ACO Modular 125 outlet channels. Overall height varies, see tables. Used with ACO 10" Floor Drains. Channels made from 16ga (1.5mm) AISI 304 or AISI 316L, pickle passivated finish. All channels provided with NBR seal and connection bolts on one side. Multiple grate options available.

ACO recommends checking local plumbing codes prior to installation.

ACO, Inc.

© January 2026 ACO, Inc.

All reasonable care has been taken in compiling the information in this document. All recommendations and suggestions on the use of ACO products are made without guarantee since the conditions of use are beyond the control of the company. It is the customer's responsibility to ensure that each product is fit for its intended purpose and that the actual conditions of use are suitable. ACO, Inc. reserves the right to change products and specifications without notice.



info@acousa.com
www.acousa.com

